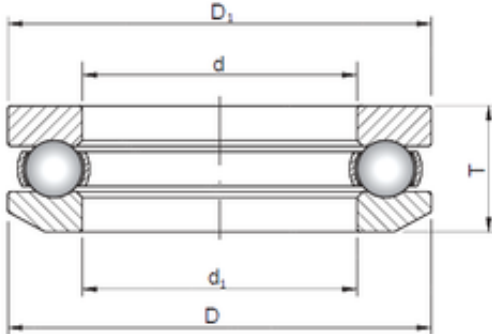




Zaozhuang Yiding Bearing Co., Ltd.

ISO 53264 thrust ball bearings



Bearing No. 53264

Bore Diameter	320 mm
Outer Diameter	435 mm
d	320 mm
d1	325 mm
D	435 mm
D1	440 mm
T	100,5 mm

53264 Bearing 2D drawings and 3D CAD models