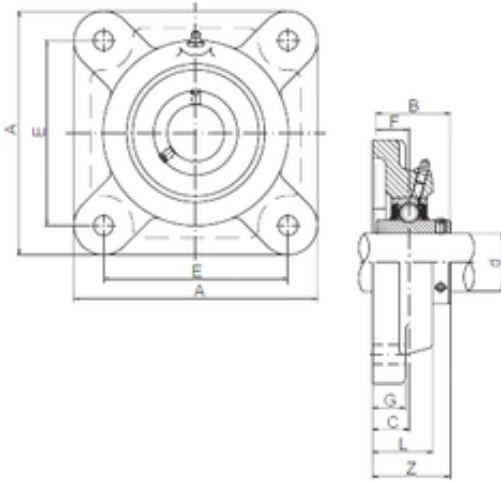




Zaozhuang Yiding Bearing Co., Ltd.



ISO UCF210 bearing units

Bearing No. UCF210

Bore Diameter	50 mm
Width	51,6 mm
d	50 mm
Z	54,6 mm
A	143 mm
B	51,6 mm
C	22 mm
E	111 mm
F	19 mm
G	18 mm
L	40 mm
S	16 mm
Bolt (G)	M14

UCF210 Bearing 2D drawings and 3D CAD models