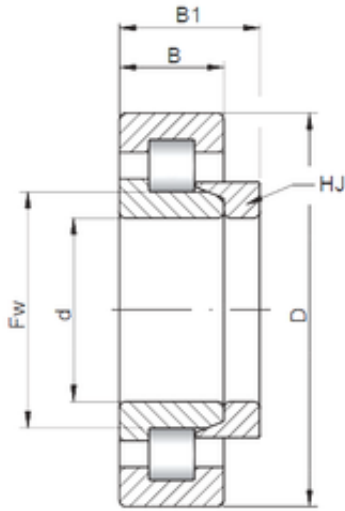




# Zaozhuang Yiding Bearing Co., Ltd.



280 mm x 500 mm x 80 mm 280 mm x 500 mm  
x 80 mm ISO NH256 cylindrical roller bearings

Bearing No. NH256

Size	280x500x80 mm
Bore Diameter	280 mm
Outer Diameter	500 mm
Width	80 mm
d	280 mm
D	500 mm
B	80 mm
C	80 mm
B1	18 mm
B2	33 mm

NH256 Bearing 2D drawings and 3D CAD models