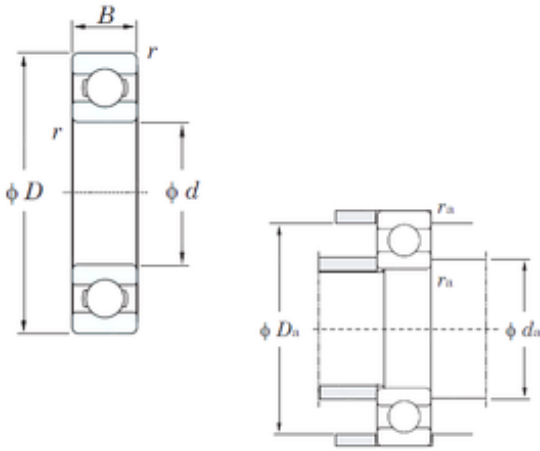




# Zaozhuang Yiding Bearing Co., Ltd.



95 mm x 130 mm x 18 mm KOYO 6919 deep groove ball bearings

Bearing No. 6919

6919 Bearing 2D drawings and 3D CAD models

Size	95x130x18 mm
Bore Diameter	95 mm
Outer Diameter	130 mm
Width	18 mm
d	95 mm
D	130 mm
B	18 mm
C	18 mm
r min.	1,1 mm
da min.	101,5 mm
Da max.	123,5 mm
ra max.	1 mm
Weight	0,705 Kg
Basic dynamic load rating (C)	33,7 kN
Basic static load rating (C0)	33,5 kN
(Grease) Lubrication Speed	4800 r/min
(Oil) Lubrication Speed	5700 r/min
Category	Single Row Ball Bearings
Inventory	0.0
Manufacturer Name	KOYO
Minimum Buy Quantity	N/A
Weight / Kilogram	0.638
Product Group	B00308
Enclosure	Open
Precision Class	ABEC 1   ISO P0



## Zaozhuang Yiding Bearing Co., Ltd.

Maximum Capacity / Filling Slot	No
Rolling Element	Ball Bearing
Snap Ring	No
Internal Special Features	No
Cage Material	Steel
Internal Clearance	C0-Medium
Inch - Metric	Metric
Long Description	95MM Bore; 130MM Outside Diameter; 18MM Outer Race Diameter; Open; Ball Bearing; ABEC 1   ISO P0; No Filling Slot; No Snap Ring; No Internal Special Features
Category	Single Row Ball Bearing
UNSPSC	31171504
Harmonized Tariff Code	8482.10.50.68
Noun	Bearing
Keyword String	Ball
Manufacturer URL	<a href="http://www.koyousa.com">http://www.koyousa.com</a>
Manufacturer Item Number	6919
Weight / LBS	1.407
Outside Diameter	5.118 Inch   130 Millimeter
Bore	3.74 Inch   95 Millimeter
Outer Race Width	0.709 Inch   18 Millimeter
Bearing No.	6919
r(min)	1.1
Cr	42.1
C0r	33.5
Cu	1.65
f0	16.6
Grease lub.	4800
Oil lub.	5700



## Zaozhuang Yiding Bearing Co., Ltd.

da(min)	101.5
Da(max)	123.5
ra(max)	1
(Refer.)Mass(kg)	0.705