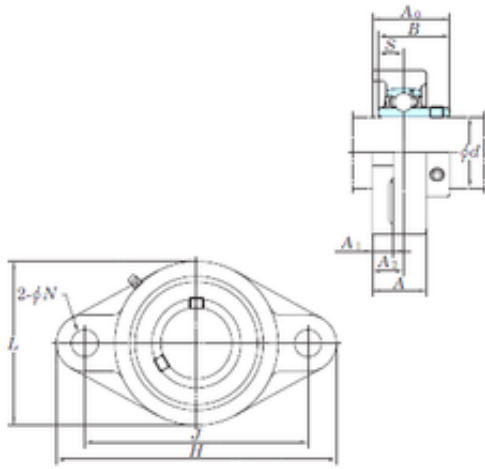




# Zaozhuang Yiding Bearing Co., Ltd.



## KOYO UCFL212-39 bearing units

Bearing No. UCFL212-39

Bore Diameter	61,9125 mm
d	61,9125 mm
A0	68,7 mm
A	48 mm
A1	18 mm
B	65,1 mm
H	250 mm
J	202 mm
L	140 mm
N	23 mm
S	25,4 mm
A2	29 mm
Weight	4,2 Kg
Basic static load rating (C0)	52,4 kN

UCFL212-39 Bearing 2D drawings and 3D CAD models