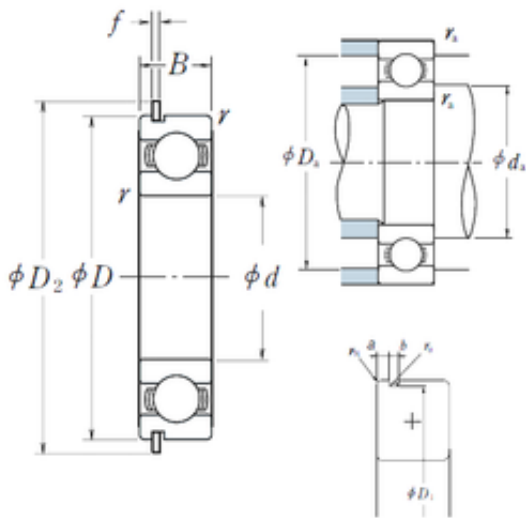




# Zaozhuang Yiding Bearing Co., Ltd.



85 mm x 110 mm x 13 mm NSK 6817NR deep groove ball bearings

Bearing No. 6817NR

6817NR Bearing 2D drawings and 3D CAD models

Size	85x110x13 mm
Bore Diameter	85 mm
Outer Diameter	110 mm
Width	13 mm
d	85 mm
D	110 mm
B	13 mm
C	13 mm
rn	0,5 mm
a	2,1 mm
b	1,3 mm
f	1,12 mm
r min.	1 mm
r0 max.	0,4 mm
D1	107,6 mm
D2	115,7 mm
da min.	90 mm
da max	90,5 mm
Da max.	105 mm
ra max.	1 mm
Weight	0,263 Kg
Basic dynamic load rating (C)	18,7 kN
Basic static load rating (C0)	20 kN
(Grease) Lubrication Speed	5 600 r/min
(Oil) Lubrication Speed	6 700 r/min



# Zaozhuang Yiding Bearing Co., Ltd.

SRI	3.7
hidYobi	6817NR
LangID	1
ro	0.4
D_	110
SREX	0.02
B_	13
da min	90
hidTable	ecat_NS RDGB
Oil rpm	6700
SRE	3.7
Cy	2.9
mass	0.263
GRS rpm	5600
ra	1
SRIX	0.02
D_a	105
SRIN	-0.02
C0	20
fo	17.1
SREN	-0.02
DE_	104.644
Prod_Type3	DGBB_SR_NR_OT
DA_	7.144
bomp	0
Z_	23
yobi	6817NR
Dx	117
C_conv	18700
ALPHA_	0
SDM_	97.5
r	1



## Zaozhuang Yiding Bearing Co., Ltd.

KBRG	6101
SBRG	18
DI_	90.356