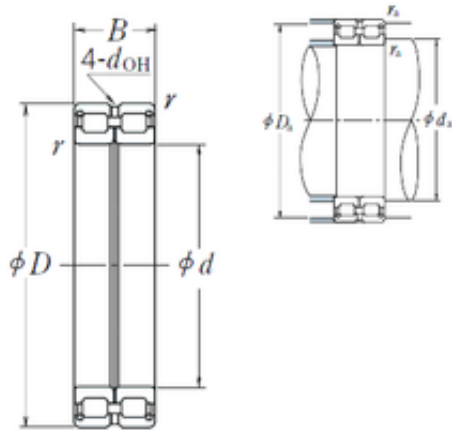




Zaozhuang Yiding Bearing Co., Ltd.

50 mm x 72 mm x 22 mm NSK RS-4910E4 cylindrical roller bearings



Bearing No. RS-4910E4

RS-4910E4 Bearing 2D drawings and 3D CAD models

| | |
|-------------------------------|--------------|
| Size | 50x72x22 mm |
| Bore Diameter | 50 mm |
| Outer Diameter | 72 mm |
| Width | 22 mm |
| d | 50 mm |
| D | 72 mm |
| B | 22 mm |
| C | 22 mm |
| r min. | 0,6 mm |
| da min. | 54 mm |
| Da max. | 68 mm |
| ra max. | 0,6 mm |
| Weight | 0,3 Kg |
| Basic dynamic load rating (C) | 48 kN |
| Basic static load rating (C0) | 75,5 kN |
| (Grease) Lubrication Speed | 2000 r/min |
| hidYobi | RS-4910E4 |
| LangID | 1 |
| D_ | 72 |
| B_ | 22 |
| hidTable | ecat_NSCLDRS |
| Oil rpm | 2000 |
| mass | 0.3 |
| GRS rpm | 4000 |
| ra | 0 |



Zaozhuang Yiding Bearing Co., Ltd.

| | |
|------------|-----------------|
| da_min | 54 |
| C0 | 75.5 |
| DE_ | 67 |
| Prod_Type3 | CRB_FRFS_OT_FIX |
| DA_ | 5.5 |
| Z_ | 35 |
| yobi | RS-4910E4 |
| da_max | 68 |
| SDM_ | 61.5 |
| r | 0.6 |
| KBRG | 4220 |
| DI_ | 56 |
| doh | 2.5 |