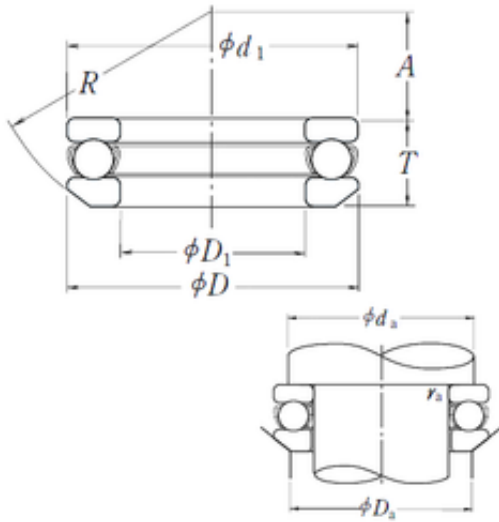




Zaozhuang Yiding Bearing Co., Ltd.



NSK 53436X thrust ball bearings

Bearing No. 53436X

Size	180x360x148.3 mm
Bore Diameter	180 mm
Outer Diameter	360 mm
Width	148,3 mm
d	180 mm
D	360 mm
T	148,3 mm
d1	355 mm
r min.	5 mm
A	97 mm
D1	184 mm
R	280 mm
da min.	285 mm
Da max.	255 mm
ra max.	4 mm
Weight	72,1 Kg
Basic dynamic load rating (C)	750 kN
Basic static load rating (C0)	2730 kN
(Grease) Lubrication Speed	400 r/min
SRI	34.3
hidYobi	53436X
LangID	1
D_	360
SREX	0.21
C	750
B_	148.3

53436X Bearing 2D drawings and 3D CAD models



Zaozhuang Yiding Bearing Co., Ltd.

hidTable	ecat_NSSDTB
Oil rpm	600
SRE	34.3
mass	72.1
GRS rpm	400
ra	4
SRIX	0.21
D_a	255
SRIN	0
C0	2730
SREN	0
D_1	184
Prod_Type3	TB_SD_WAS
da	285
DA_	63.5
Z_	11
yobi	53436X
A_	97
T3	148.3
SDM_	270
r	5
KBRG	512
R_	280