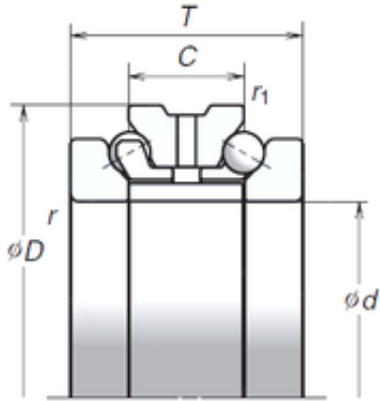




Zaozhuang Yiding Bearing Co., Ltd.

NSK 260TAC29D+L thrust ball bearings



Bearing No. 260TAC29D+L

Size	260x360x120 mm
Bore Diameter	260 mm
Outer Diameter	360 mm
Width	120 mm
d	260 mm
D	360 mm
T	120 mm
C	60 mm
Angle (°)	60 °
r min.	2,1 mm
r1 min.	1,1 mm
Da	344 mm
ra max.	2 mm
rb max.	1 mm
da	300 mm
Weight	31,5 Kg
Basic dynamic load rating (C)	315 kN
Basic static load rating (C0)	1 390 kN
(Grease) Lubrication Speed	1 500 r/min

260TAC29D+L Bearing 2D drawings and 3D CAD models