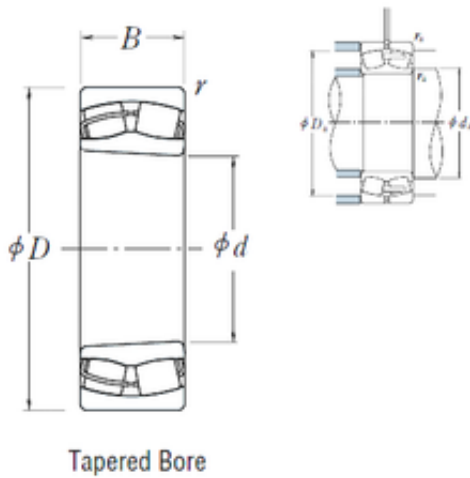




Zaozhuang Yiding Bearing Co., Ltd.



180 mm x 280 mm x 74 mm NSK 23036CDKE4 spherical roller bearings

Bearing No. 23036CDKE4

23036CDKE4 Bearing 2D drawings and 3D CAD models

Size	180x280x74 mm
Bore Diameter	180 mm
Outer Diameter	280 mm
Width	74 mm
d	180 mm
D	280 mm
B	74 mm
C	74 mm
r min.	2,1 mm
da min.	192 mm
da max	202 mm
Da min	249 mm
Da max.	268 mm
ra max.	2 mm
Weight	17,1 Kg
Basic dynamic load rating (C)	750 kN
Basic static load rating (C0)	1270 kN
(Grease) Lubrication Speed	1200 r/min
(Oil) Lubrication Speed	1400 r/min
Calculation factor (e)	0,24
Calculation factor (Y0)	2,8
Calculation factor (Y2)	4,2
Category	Spherical Roller Bearings
Inventory	0.0
Manufacturer Name	NSK



Zaozhuang Yiding Bearing Co., Ltd.

Minimum Buy Quantity	N/A
Weight / Kilogram	16.9
EAN	0029176008955
Product Group	B04311
Internal Clearance	C0-Medium
Mounting Method	Adapter Mount
Rolling Element	Spherical Roller Bearing
Bore Profile	Tapered
Cage Material	Steel
Enclosure	Open
Number of Rows of Rollers	Double Row
Relubricatable	Yes
Withdrawal Sleeve	AH3036 (Specify bore)
Inch - Metric	Metric
Long Description	180MM Tapered Bore; 280MM Outside Diameter; 74MM Width; C0-Medium Clearance; Adapter Mount; Double Row of Spherical Roller Bearings; Steel Cage Material; Open Enclosure; Relubricatable; Adapter Part N
Other Features	Order adapter or withdrawal sleeve or nut separately. Others may be available
Category	Spherical Roller Bearing
UNSPSC	31171510
Harmonized Tariff Code	84823080
Noun	Bearing
Keyword String	Spherical
Manufacturer URL	http://www.nskamericas.com
Manufacturer Item Number	23036CDKE4
Weight / LBS	16.9



Zaozhuang Yiding Bearing Co., Ltd.

Adapter Part Number	SNW3036 H3036 HA3036 HE3036 (Specify Bore) Inch H3036 (Specify bore) Millimeter
Width	2.913 Inch 74 Millimeter
Outside Diameter	11.024 Inch 280 Millimeter
Bore	7.087 Inch 180 Millimeter
bore diameter:	180 mm
outer ring type:	Not Split
outside diameter:	280 mm
internal clearance:	C0
overall width:	74 mm
lubrication hole type:	Oil Grooves And Holes In Outer Ring
bore type:	Tapered 1:12
cage material:	Bronze
Y3	2.8
hidYobi	23036CDKE4
LangID	1
Y1	2.8
D_	280
Y2	4.2
Macha rpm	2800
B_	74
da min	192
hidTable	ecat_NSSPHR
Oil rpm	1400
Y0	2.8
mass	17.1
GRS rpm	1200
ra	2
TSR rpm	2000
C0	1270



Zaozhuang Yiding Bearing Co., Ltd.

DE_	254.824
X0	1
Prod_Type3	SRB_CTB_TB
X1	1
X2	0.67
SIR	29
e	0.24
DA_	25
bomp	23036CDKE4
Z_	24
ALP2	0
ALP1	9
ALP3	0
D_a max	268
D_a min	249
yobi	23036CDKE4
ALPHA_	0.157
SDM_	230.131
r	2.1
KBRG	2321
SBRG	30
DI_	205.439