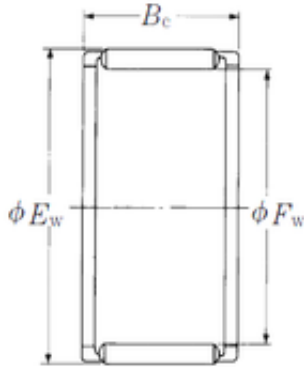




Zaozhuang Yiding Bearing Co., Ltd.

NSK FWF-202413 needle roller bearings



Bearing No. FWF-202413

Bore Diameter	20 mm
Outer Diameter	24 mm
Fw	20 mm
Ew	24 mm
Bc	13 mm
Weight	0,0073 Kg
Basic dynamic load rating (C)	9,7 kN
Basic static load rating (C0)	13,7 kN
(Grease) Lubrication Speed	13000 r/min
hidYobi	FWF-202413
LangID	1
Prod_Type3	NRB_CNRA_FWF-FWJ
d	20
D_	24
DA_	2
Z_	19
C	9.7
B_	13
hidTable	ecat_NSCRA
yobi	FWF-202413
mass	7.3
GRS rpm	13000
OIL rpm	20000
SDM_	22
KBRG	8113
C0	13.7

FWF-202413 Bearing 2D drawings and 3D CAD models



Zaozhuang Yiding Bearing Co., Ltd.

SLR	9.8
-----	-----