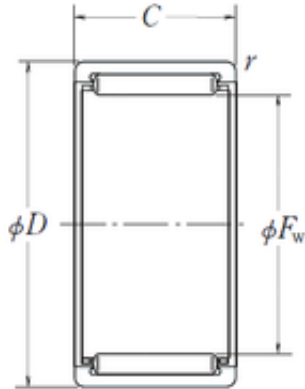




Zaozhuang Yiding Bearing Co., Ltd.

NSK RLM506225 needle roller bearings



Bearing No. RLM506225

Size	50x62x25 mm
Bore Diameter	50 mm
Outer Diameter	62 mm
Width	25 mm
Fw	50 mm
D	62 mm
C	25 mm
r min.	0,6 mm
Weight	0,155 Kg
Basic dynamic load rating (C)	43 kN
Basic static load rating (C0)	77,5 kN
(Grease) Lubrication Speed	4300 r/min
hidYobi	RLM506225
LangID	1
D_	62
B_	25
hidTable	ecat_NSMRNR
GRS rpm	4300
ra	0.6
C0	77.5
C1_	25
DE_	58
SLR	19.8
Prod_Type3	NRB_S_RLM
d	50
DA_	4

RLM506225 Bearing 2D drawings and 3D CAD models



Zaozhuang Yiding Bearing Co., Ltd.

Z_	26
SI	0
yobi	RLM506225
da_max	58
OIL rpm	7100
SDM_	54
r	0.6
KBRG	8312
mass1	0.155