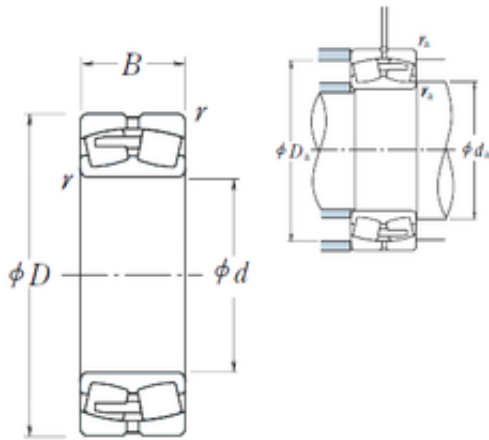




Zaozhuang Yiding Bearing Co., Ltd.



710 mm x 1280 mm x 450 mm NSK
232/710CAE4 spherical roller bearings

Bearing No. 232/710CAE4

232/710CAE4 Bearing 2D drawings and 3D CAD models

Size	710x1280x450 mm
Bore Diameter	710 mm
Outer Diameter	1280 mm
Width	450 mm
d	710 mm
D	1280 mm
B	450 mm
C	450 mm
r min.	12 mm
da min.	764 mm
Da min	1080 mm
Da max.	1226 mm
ra max.	10 mm
Weight	2470 Kg
Basic dynamic load rating (C)	15700 kN
Basic static load rating (C0)	30500 kN
(Grease) Lubrication Speed	160 r/min
(Oil) Lubrication Speed	200 r/min
Calculation factor (e)	0,36
Calculation factor (Y0)	1,8
Calculation factor (Y2)	2,8