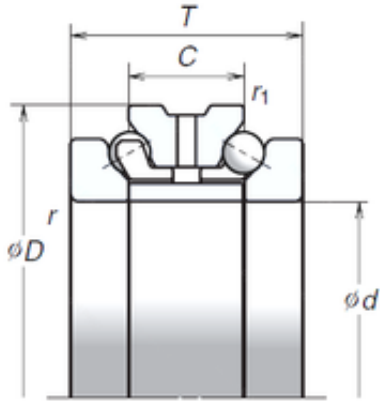




Zaozhuang Yiding Bearing Co., Ltd.

NSK 140TAC20D+L thrust ball bearings



Bearing No. 140TAC20D+L

Size	140x210x84 mm
Bore Diameter	140 mm
Outer Diameter	210 mm
Width	84 mm
d	140 mm
D	210 mm
T	84 mm
C	42 mm
Angle ()	60 °
r min.	2 mm
r1 min.	1 mm
Da	198 mm
ra max.	2 mm
rb max.	1 mm
da	167 mm
Weight	8,75 Kg
Basic dynamic load rating (C)	145 kN
Basic static load rating (C0)	525 kN
(Grease) Lubrication Speed	2 600 r/min

140TAC20D+L Bearing 2D drawings and 3D CAD models