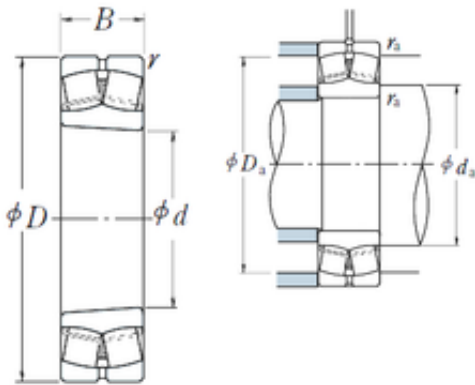




# Zaozhuang Yiding Bearing Co., Ltd.



Tapered Bore

65 mm x 140 mm x 33 mm NSK 21313EAKE4 spherical roller bearings

Bearing No. 21313EAKE4

21313EAKE4 Bearing 2D drawings and 3D CAD models

|                               |                           |
|-------------------------------|---------------------------|
| Size                          | 65x140x33 mm              |
| Bore Diameter                 | 65 mm                     |
| Outer Diameter                | 140 mm                    |
| Width                         | 33 mm                     |
| d                             | 65 mm                     |
| D                             | 140 mm                    |
| B                             | 33 mm                     |
| C                             | 33 mm                     |
| r min.                        | 2,1 mm                    |
| da min.                       | 77 mm                     |
| da max                        | 94 mm                     |
| Da min                        | 126 mm                    |
| Da max.                       | 128 mm                    |
| ra max.                       | 2 mm                      |
| Weight                        | 2,45 Kg                   |
| Basic dynamic load rating (C) | 212 kN                    |
| Basic static load rating (C0) | 275 kN                    |
| (Grease) Lubrication Speed    | 3200 r/min                |
| (Oil) Lubrication Speed       | 4000 r/min                |
| Calculation factor (e)        | 0,22                      |
| Calculation factor (Y0)       | 3                         |
| Calculation factor (Y2)       | 4,6                       |
| Category                      | Spherical Roller Bearings |
| Inventory                     | 0.0                       |
| Manufacturer Name             | NSK                       |



## Zaozhuang Yiding Bearing Co., Ltd.

|                           |  |
|---------------------------|--|
| Minimum Buy Quantity      | N/A  |
| Weight / Kilogram         | 2.5  |
| EAN                       | 0029176410796  |
| Product Group             | B04311   |
| Internal Clearance        | C0-Medium  |
| Mounting Method           | Adapter Mount  |
| Rolling Element           | Spherical Roller Bearing   |
| Bore Profile              | Tapered  |
| Cage Material             | Steel  |
| Enclosure                 | Open   |
| Number of Rows of Rollers | Double Row   |
| Relubricatable            | Yes  |
| Withdrawal Sleeve         | AHX313 (Specify bore)  |
| Inch - Metric             | Metric   |
| Long Description          | 65MM Tapered Bore;<br>140MM Outside Diameter;<br>33MM Width; C0-Medium<br>Clearance; Adapter Mount;<br>Double Row of Spherical<br>Roller Bearings; Steel Cage<br>Material; Open Enclosure;<br>Relubricatable; Adapter Part<br>Nu |
| Other Features            | Order adapter or<br>withdrawal sleeve or nut<br>separately. Others may be<br>available   |
| Category                  | Spherical Roller Bearing   |
| UNSPSC                    | 31171510   |
| Harmonized Tariff Code    | 84823080   |
| Noun                      | Bearing  |
| Keyword String            | Spherical  |
| Manufacturer URL          | <a href="http://www.nskamericas.com">http://www.nskamericas.com</a>  |
| Manufacturer Item Number  | 21313EAKE4   |
| Weight / LBS              | 0  |



## Zaozhuang Yiding Bearing Co., Ltd.

|                     |  |
|---------------------|--|
| Outside Diameter    | 5.512 Inch   140 Millimeter  |
| Bore                | 2.559 Inch   65 Millimeter   |
| Width               | 1.299 Inch   33 Millimeter   |
| Adapter Part Number | SNW13 H313 HA313<br>HE313 (Specify Bore) Inch  <br>H313 (Specify bore)<br>Millimeter |
| Y3                  | 3.1  |
| hidYobi             | 21313EAKE4   |
| LangID              | 1  |
| Y1                  | 3  |
| D_                  | 140  |
| Y2                  | 4.6  |
| Macha rpm           | 6000   |
| B_                  | 33   |
| da min              | 77   |
| hidTable            | ecat_NSSPHR  |
| Oil rpm             | 4500   |
| Y0                  | 3  |
| mass                | 2.45   |
| GRS rpm             | 3600   |
| ra                  | 2  |
| TSR rpm             | 4500   |
| C0                  | 275  |
| DE_                 | 127.638  |
| X0                  | 1  |
| Prod_Type3          | SRB_CTB_TB   |
| X1                  | 1  |
| X2                  | 0.67   |
| SIR                 | 12.8   |
| e                   | 0.22   |
| DA_                 | 15.8   |
| bomp                | 21313EAKE4   |
|                     |  |



## Zaozhuang Yiding Bearing Co., Ltd.

|         |            |
|---------|------------|
| Z_      | 20         |
| ALP2    | 20         |
| ALP1    | 8          |
| ALP3    | 0          |
| D_a max | 128        |
| D_a min | 126        |
| yobi    | 21313EAKE4 |
| HPS     | HPS        |
| ALPHA_  | 0.145      |
| SDM_    | 112.005    |
| r       | 2.1        |
| KBRG    | 2328       |
| SBRG    | 3          |
| DI_     | 96.372     |