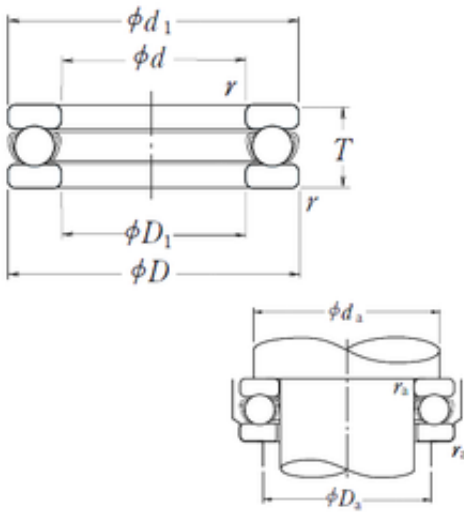




Zaozhuang Yiding Bearing Co., Ltd.



51334X Bearing 2D drawings and 3D CAD models

NSK 51334X thrust ball bearings

Bearing No. 51334X

Size	170x280x87 mm
Bore Diameter	170 mm
Outer Diameter	280 mm
Width	87 mm
d	170 mm
D	280 mm
T	87 mm
d1	275 mm
r min.	3 mm
D1	174 mm
da min.	235 mm
Da max.	215 mm
ra max.	2,5 mm
Weight	20,3 Kg
Basic dynamic load rating (C)	465 kN
Basic static load rating (C0)	1570 kN
(Grease) Lubrication Speed	600 r/min
SRI	22.3
hidYobi	51334X
LangID	1
D_	280
SREX	0.16
C	465
B_	87
hidTable	ecat_NSSDTB
Oil rpm	900



Zaozhuang Yiding Bearing Co., Ltd.

SRE	22.3
mass	20.3
GRS rpm	600
ra	2.5
SRIX	0.16
D_a	215
SRIN	0
C0	1570
SREN	0
D_1	174
Prod_Type3	TB_SD_WFS
da	235
DA_	41.275
Z_	15
yobi	51334X
SDM_	225
r	3
T_	87
KBRG	5111