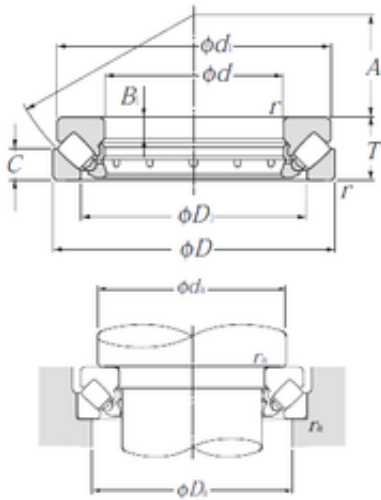




Zaozhuang Yiding Bearing Co., Ltd.



NTN 29280 thrust roller bearings

Bearing No. 29280

Size	400x540x85 mm
Bore Diameter	400 mm
Outer Diameter	540 mm
Width	85 mm
d	400 mm
D	540 mm
T	85 mm
B1	27 mm
C	42 mm
d1	526 mm
r min.	4 mm
A	212 mm
D1	460 mm
da min.	460 mm
Da max.	490 mm
ra max.	3 mm
Weight	55,8 Kg
Basic dynamic load rating (C)	1 620 kN
Basic static load rating (C0)	7 950 kN

29280 Bearing 2D drawings and 3D CAD models