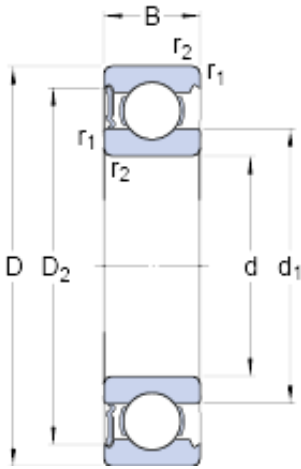




# Zaozhuang Yiding Bearing Co., Ltd.



130 mm x 230 mm x 40 mm SKF 6226-RS1 deep groove ball bearings

Bearing No. 6226-RS1

6226-RS1 Bearing 2D drawings and 3D CAD models

|   |               |
|---|---------------|
| Size                                      | 230x130x40 mm |
| Bore Diameter                             | 230 mm        |
| Outer Diameter                            | 130 mm        |
| Width                                     | 40 mm         |
| d   | 130 mm        |
| D   | 230 mm        |
| B   | 40 mm         |
| d <sub>1</sub>                            | 160.5 mm      |
| D <sub>2</sub>                            | 202.9 mm      |
| r <sub>1,2</sub> - min.                   | 3 mm          |
| d <sub>a</sub> - min.                     | 144 mm        |
| d <sub>a</sub> - max.                     | 160 mm        |
| D <sub>a</sub> - max.                     | 216 mm        |
| r <sub>a</sub> - max.                     | 2.5 mm        |
| Basic dynamic load rating - C             | 156 kN        |
| Basic static load rating - C <sub>0</sub> | 132 kN        |
| Fatigue load limit - P <sub>u</sub>       | 4.2 kN        |
| Limiting speed                            | 1800 r/min    |
| Calculation factor - k <sub>r</sub>       | 0.025         |
| Calculation factor - f <sub>0</sub>       | 15            |
| d <sub>1</sub>                            | 160.5 mm      |
| D <sub>2</sub>                            | 202.9 mm      |
| r <sub>1,2</sub> min.                     | 3 mm          |
| d <sub>a</sub> min.                       | 144 mm        |



## Zaozhuang Yiding Bearing Co., Ltd.

|                                |         |
|--------------------------------|---------|
| $d_a$ max.                     | 160 mm  |
| $D_a$ max.                     | 216 mm  |
| $r_a$ max.                     | 2.5 mm  |
| Basic dynamic load rating C    | 156 kN  |
| Basic static load rating $C_0$ | 132 kN  |
| Fatigue load limit $P_u$       | 4.15 kN |
| Calculation factor $k_r$       | 0.025   |
| Calculation factor $f_0$       | 14.5    |
| Mass bearing                   | 5.9 kg  |