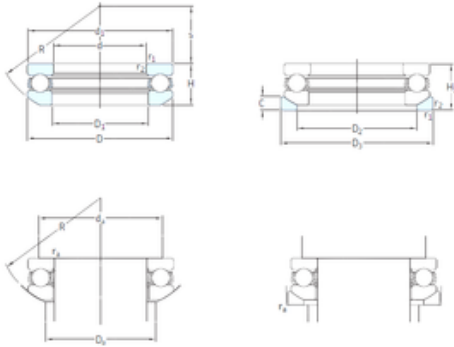




# Zaozhuang Yiding Bearing Co., Ltd.

## SKF 53414M+U414 thrust ball bearings

Bearing No. 53414M+U414



53414M+U414 Bearing 2D drawings and 3D CAD models

Size	70x150x63.6 mm
Bore Diameter	70 mm
Outer Diameter	150 mm
Width	63,6 mm
d	70 mm
D	150 mm
H	63,6 mm
d1	150 mm
r1 min.	2 mm
r2 min.	2 mm
s	34 mm
C	19,5 mm
D1	73 mm
D2	110 mm
D3	155 mm
H1	69 mm
R	112 mm
da min.	118 mm
Da max.	110 mm
rb max.	2 mm
Weight	6,5 Kg
Basic dynamic load rating (C)	234 kN
Basic static load rating (C0)	550 kN
Fatigue load limit (Pu)	19,3
Reference speed	1400 r/min
Limiting speed	2000 r/min



# Zaozhuang Yiding Bearing Co., Ltd.