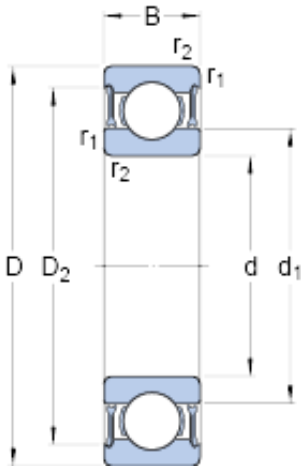




Zaozhuang Yiding Bearing Co., Ltd.



20 mm x 42 mm x 12 mm SKF W 6004-2RZ
deep groove ball bearings

Bearing No. W 6004-2RZ

W 6004-2RZ Bearing 2D drawings and 3D CAD models

Size	42x20x12 mm
Bore Diameter	42 mm
Outer Diameter	20 mm
Width	12 mm
d	20 mm
D	42 mm
B	12 mm
d ₁	27.6 mm
D ₂	38.7 mm
r _{1,2} - min.	0.6 mm
D _a - max.	39 mm
r _a - max.	0.6 mm
Basic dynamic load rating - C	8.1 kN
Basic static load rating - C ₀	5 kN
Fatigue load limit - P _u	0.212 kN
Reference speed	38000 r/min
Limiting speed	19000 r/min
Calculation factor - k _r	0.03
Calculation factor - f ₀	13.9
d ₁	27.6 mm
D ₂	38.75 mm
r _{1,2} min.	0.6 mm
d _a min.	24 mm
d _a max.	27.5 mm



Zaozhuang Yiding Bearing Co., Ltd.

D_a max.	39 mm
r_a max.	0.6 mm
Basic dynamic load rating C	8.06 kN
Basic static load rating C_0	5 kN
Fatigue load limit P_u	0.212 kN
Calculation factor k_r	0.03
Calculation factor f_0	13.9
Mass bearing	0.064 kg