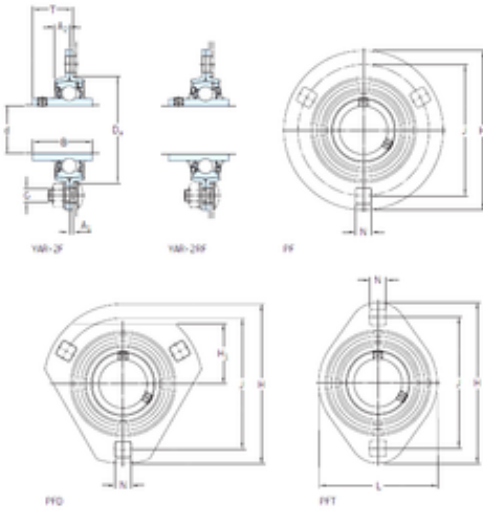




Zaozhuang Yiding Bearing Co., Ltd.



PFT 3/4 FM Bearing 2D drawings and 3D CAD models

SKF PFT 3/4 FM bearing units

Bearing No. PFT 3/4 FM

Bore Diameter	19.05 mm
d	19.05 mm
Da	55 mm
A1	2 mm
B1	31 mm
G	8 mm
H	91 mm
J	71,5 mm
L	67 mm
N	8,7 mm
T	25,5 mm
A2	8 mm
Weight	0,26 Kg
Basic dynamic load rating (C)	12,7 kN
Basic static load rating (C0)	6,55 kN
Housing material	Pressed steel
D _a min.	51 mm
A ₁	2 mm
A ₂	8 mm
B ₁	31 mm
B ₄	4.75 mm
s ₁	24 mm
Basic dynamic load rating C	12.7 kN
Basic static load rating C ₀	6.55 kN
Fatigue load limit P _u	0.28 kN
Limiting speed	8500 r/min



Zaozhuang Yiding Bearing Co., Ltd.

Mass bearing unit	0.27 kg
Thread grub screw G ₂	1/4-28 UNF
Hexagonal key size for grub screw N	3.175 mm
Recommended tightening torque for grub screw	4 N · m
Recommended diameter for attachment bolts, mm G	8 mm
Recommended diameter for attachment bolts, inch G	0.3125 in