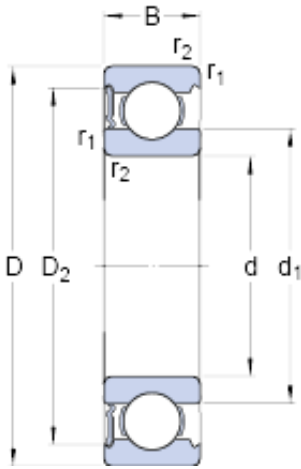




Zaozhuang Yiding Bearing Co., Ltd.



30 mm x 55 mm x 13 mm SKF 6006-RS1 deep groove ball bearings

Bearing No. 6006-RS1

6006-RS1 Bearing 2D drawings and 3D CAD models

Size	55x30x13 mm
Bore Diameter	55 mm
Outer Diameter	30 mm
Width	13 mm
d	30 mm
D	55 mm
B	13 mm
d ₁	38.2 mm
D ₂	49 mm
r _{1,2} - min.	1 mm
d _a - min.	34.6 mm
d _a - max.	38.1 mm
D _a - max.	50.4 mm
r _a - max.	1 mm
Basic dynamic load rating - C	13.8 kN
Basic static load rating - C ₀	8.3 kN
Fatigue load limit - P _u	0.355 kN
Limiting speed	8000 r/min
Calculation factor - k _r	0.025
Calculation factor - f ₀	15
Category	Single Row Ball Bearings
Inventory	0.0
Manufacturer Name	SKF
Minimum Buy Quantity	N/A



Zaozhuang Yiding Bearing Co., Ltd.

Weight / Kilogram	0.123
EAN	7316577297174
Product Group	B00308
Enclosure	1 Seal
Precision Class	ABEC 1 ISO P0
Maximum Capacity / Filling Slot	No
Rolling Element	Ball Bearing
Snap Ring	No
Internal Special Features	No
Cage Material	Steel
Enclosure Type	Contact Seal
Internal Clearance	C0-Medium
Inch - Metric	Metric
Long Description	30MM Bore; 55MM Outside Diameter; 13MM Outer Race Diameter; 1 Seal; Ball Bearing; ABEC 1 ISO P0; No Filling Slot; No Snap Ring; No Internal Special Features
Category	Single Row Ball Bearing
UNSPSC	31171504
Harmonized Tariff Code	8482.10.50.68
Noun	Bearing
Keyword String	Ball
Manufacturer URL	http://www.skf.com
Manufacturer Item Number	6006-RS1
Weight / LBS	0.27
Bore	1.181 Inch 30 Millimeter
Outer Race Width	0.512 Inch 13 Millimeter
Outside Diameter	2.165 Inch 55 Millimeter
d ₁	38.2 mm
D ₂	49 mm



Zaozhuang Yiding Bearing Co., Ltd.

$r_{1,2}$ min.	1 mm
d_a min.	34.6 mm
d_a max.	38.1 mm
D_a max.	50.4 mm
r_a max.	1 mm
Basic dynamic load rating C	13.8 kN
Basic static load rating C_0	8.3 kN
Fatigue load limit P_u	0.355 kN
Calculation factor k_r	0.025
Calculation factor f_0	15
Mass bearing	0.12 kg