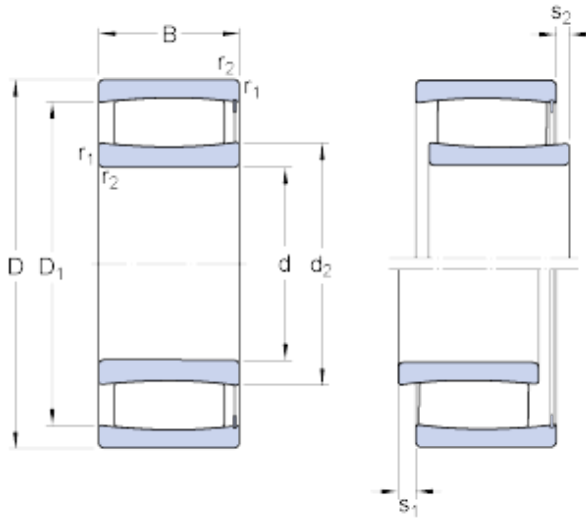




Zaozhuang Yiding Bearing Co., Ltd.



220 mm x 340 mm x 118 mm SKF C 4044 V cylindrical roller bearings

Bearing No. C 4044 V

C 4044 V Bearing 2D drawings and 3D CAD models

Size	340x220x118 mm
Bore Diameter	340 mm
Outer Diameter	220 mm
Width	118 mm
d	220 mm
D	340 mm
B	118 mm
d ₂	251 mm
D ₁	306 mm
s ₁	20 mm
s ₂	10.1 mm
r _{1,2} - min.	3 mm
d _a - min.	233 mm
d _a - max.	284 mm
D _a - max.	327 mm
r _a - max.	2.5 mm
Basic dynamic load rating - C	1930 kN
Basic static load rating - C ₀	3250 kN
Fatigue load limit - P _u	280 kN
Limiting speed	200 r/min
Factor - k ₁	0.115
Factor - k ₂	0.095
d ₂	251 mm



Zaozhuang Yiding Bearing Co., Ltd.

D_1	306 mm
s_1 max.	20 mm
s_2 max.	10.1 mm
$r_{1,2}$ min.	3 mm
d_a min.	233 mm
d_a max.	284 mm
D_a max.	327 mm
r_a max.	2.5 mm
Basic dynamic load rating C	1930 kN
Basic static load rating C_0	3250 kN
Fatigue load limit P_u	280 kN
Misalignment factor k_1	0.115
Operating clearance factor k_2	0.095
Mass bearing	40 kg