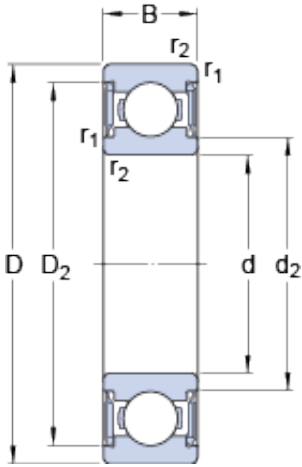




# Zaozhuang Yiding Bearing Co., Ltd.



12 mm x 21 mm x 5 mm SKF W 61801-2RS1  
deep groove ball bearings

Bearing No. W 61801-2RS1

W 61801-2RS1 Bearing 2D drawings and 3D CAD models

Size	21x12x5 mm
Bore Diameter	12 mm
Outer Diameter	12 mm
Width	5 mm
d	12 mm
D	21 mm
B	5 mm
d <sub>2</sub>	13.8 mm
D <sub>2</sub>	19.15 mm
r <sub>1,2</sub> - min.	0.3 mm
d <sub>a</sub> - min.	13.5 mm
d <sub>a</sub> - max.	13.5 mm
D <sub>a</sub> - max.	19.5 mm
r <sub>a</sub> - max.	0.3 mm
Basic dynamic load rating - C	1.5 kN
Basic static load rating - C <sub>0</sub>	0.9 kN
Fatigue load limit - P <sub>u</sub>	0.039 kN
Limiting speed	20000 r/min
Calculation factor - k <sub>r</sub>	0.02
Calculation factor - f <sub>0</sub>	13.4
Category	Single Row Ball Bearings
Inventory	0.0
Manufacturer Name	SKF
Minimum Buy Quantity	N/A



## Zaozhuang Yiding Bearing Co., Ltd.

Weight / Kilogram	0.007
Product Group	B00308
Enclosure	2 Seals
Precision Class	ABEC 1   ISO P0
Maximum Capacity / Filling Slot	No
Rolling Element	Ball Bearing
Snap Ring	No
Internal Special Features	No
Cage Material	Stainless Steel
Enclosure Type	Contact Seal
Internal Clearance	C0-Medium
Inch - Metric	Metric
Long Description	12MM Bore; 21MM Outside Diameter; 5MM Outer Race Width; 2 Seals; Ball Bearing; ABEC 1   ISO P0; No Filling Slot; No Snap Ring; No Internal Special Features; C0-Medium Internal Clearance; Stainless Ste
Other Features	Deep Groove   NBR Seal
Category	Single Row Ball Bearing
UNSPSC	31171504
Harmonized Tariff Code	8482.10.50.68
Noun	Bearing
Keyword String	Ball
Manufacturer URL	<a href="http://www.skf.com">http://www.skf.com</a>
Manufacturer Item Number	W 61801-2RS1
Weight / LBS	0.018
Inner Race Width	0 Inch   0 Millimeter
Outer Race Width	0.197 Inch   5 Millimeter
Bore	0.472 Inch   12 Millimeter
Outside Diameter	0.827 Inch   21 Millimeter



## Zaozhuang Yiding Bearing Co., Ltd.

$d_2$	13.8 mm
$D_2$	19.15 mm
$r_{1,2}$ min.	0.3 mm
$d_a$ min.	13.5 mm
$d_a$ max.	13.5 mm
$D_a$ max.	19.5 mm
$r_a$ max.	0.3 mm
Basic dynamic load rating C	1.51 kN
Basic static load rating $C_0$	0.9 kN
Fatigue load limit $P_u$	0.039 kN
Calculation factor $k_r$	0.02
Calculation factor $f_0$	13.4
Mass bearing	0.006 kg