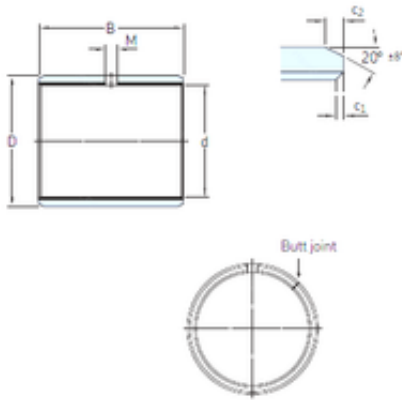




# Zaozhuang Yiding Bearing Co., Ltd.

15,875 mm x 18,256 mm x 19,05 mm SKF PCZ 1012 M plain bearings



Bearing No. PCZ 1012 M

PCZ 1012 M Bearing 2D drawings and 3D CAD models

Size	15.875x18.256x19.05 mm
Bore Diameter	15,875 mm
Outer Diameter	18,256 mm
Width	19,05 mm
d	15,875 mm
D	18,256 mm
B	19,05 mm
c1 min	0,1 mm
c2 min	0,2 mm
M	3 mm
Weight	0,0073 Kg
Basic dynamic load rating (C)	36 kN
c <sub>1</sub> min.	0.1 mm
c <sub>1</sub> max.	0.6 mm
c <sub>2</sub> min.	0.2 mm
c <sub>2</sub> max.	1 mm
± 8	20 °
Shaft diameter range min.	15.585 mm
Shaft diameter range max.	15.611 mm
Housing bore range min.	18.255 mm
Housing bore range max.	18.275 mm
Basic dynamic load rating - radial direction C	36 kN
Basic static load rating - radial direction C <sub>0</sub>	75 kN



## Zaozhuang Yiding Bearing Co., Ltd.

Specific dynamic load factor K	120 N/mm <sup>2</sup>
Specific static load factor K <sub>0</sub>	250 N/mm <sup>2</sup>
Factor depending on material and bearing type K <sub>M</sub>	1900
Permissible sliding velocity v min.	0 m/s
Permissible sliding velocity v max.	2.5 m/s
Coefficient of friction μ min.	0.02
Coefficient of friction μ max.	0.2
Mass bushing	0.0073 kg