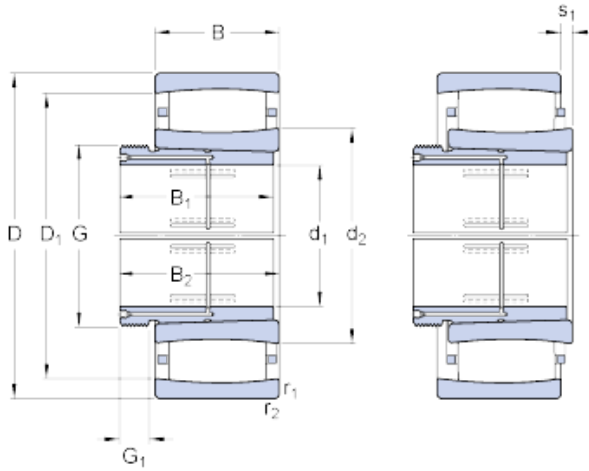




# Zaozhuang Yiding Bearing Co., Ltd.



## SKF C 3188 KMB + AOHX 3188 G cylindrical roller bearings

Bearing No. C 3188 KMB + AOHX 3188 G

C 3188 KMB + AOHX 3188 G Bearing 2D drawings and 3D CAD models

Size	720x420x270 mm
Bore Diameter	720 mm
Outer Diameter	420 mm
Width	270 mm
$d_1$	420 mm
D	720 mm
$B_1$	270 mm
$d_2$	522 mm
$D_1$	647 mm
B	226 mm
G	Tr 460x5
$G_1$	460 mm
$s_1$	16 mm
$r_{1,2}$ - min.	6 mm
$d_a$ - min.	454 mm
$d_a$ - max.	521 mm
$D_a$ - min.	613 mm
$D_a$ - max.	694 mm
$C_a$ - min.	7.5 mm
$r_a$ - max.	5 mm
Basic dynamic load rating - C	6700 kN
Basic static load rating - $C_0$	11400 kN
Fatigue load limit - $P_u$	780 kN



## Zaozhuang Yiding Bearing Co., Ltd.

Reference speed	630 r/min
Limiting speed	850 r/min
Factor - $k_1$	
Factor - $k_2$	0.099
$d_1$	420 mm
$B_1$	270 mm
$d_2$	522 mm
$D_1$	647 mm
$B_2$	281 mm
$G_1$	42 mm
$s_1$ max.	16 mm
$r_{1,2}$ min.	6 mm
$d_a$ min.	454 mm
$d_a$ max.	521 mm
$D_a$ min.	613 mm
$D_a$ max.	694 mm
$C_a$ min.	7.5 mm
$r_a$ max.	5 mm
Basic dynamic load rating C	6700 kN
Basic static load rating $C_0$	11400 kN
Fatigue load limit $P_u$	780 kN
Misalignment factor $k_1$	0
Operating clearance factor $k_2$	0.099
Mass bearing + sleeve	405 kg