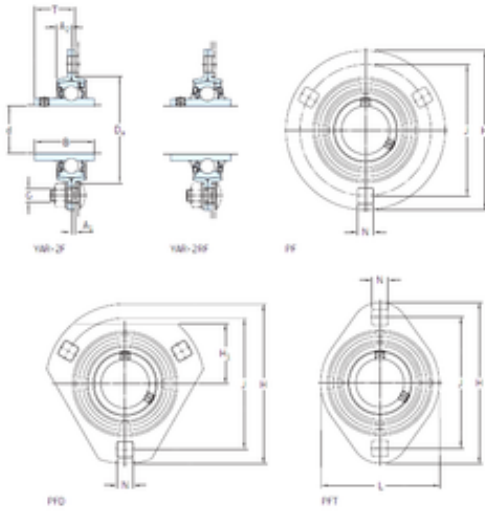




Zaozhuang Yiding Bearing Co., Ltd.



PFT 17 TF Bearing 2D drawings and 3D CAD models

SKF PFT 17 TF bearing units

Bearing No. PFT 17 TF

Bore Diameter	17 mm
Width	27,4 mm
d	17 mm
Da	49 mm
A1	2 mm
B	27,4 mm
G	6 mm
H	81 mm
H1	– mm
J	63 mm
L	59 mm
N	7,1 mm
T	17,9 mm
A2	7 mm
Weight	0,17 Kg
Basic dynamic load rating (C)	9,56 kN
Basic static load rating (C0)	4,75 kN
Housing material	Pressed steel
D _a min.	44 mm
A ₁	2 mm
A ₂	7 mm
B ₄	4 mm
s ₁	15.9 mm
Basic dynamic load rating C	9.56 kN
Basic static load rating C ₀	4.75 kN
Fatigue load limit P _u	0.2 kN



Zaozhuang Yiding Bearing Co., Ltd.

Limiting speed	9500 r/min
Mass bearing unit	0.17 kg
Thread grub screw G_2	M6x0.75
Hexagonal key size for grub screw N	3 mm
Recommended tightening torque for grub screw	4 N · m
Recommended diameter for attachment bolts, mm G	6 mm
Recommended diameter for attachment bolts, inch G	0.25 in
Housing	PFT 40
Bearing	YAR 203-2F