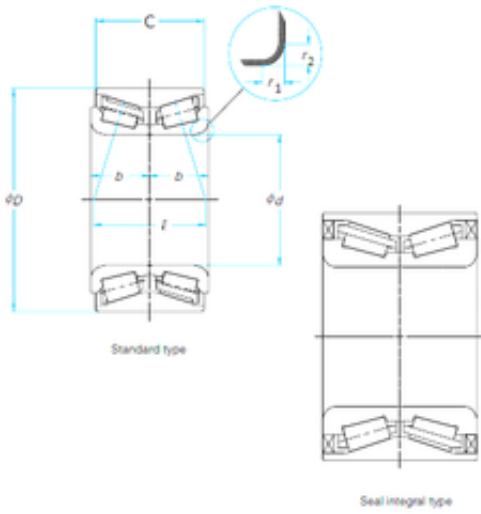




# Zaozhuang Yiding Bearing Co., Ltd.



30 mm x 62 mm x 48 mm SKF BTH1232 tapered roller bearings

Bearing No. BTH1232

Size	30x62x48 mm
Bore Diameter	30 mm
Outer Diameter	62 mm
Width	48 mm
d	30 mm
D	62 mm
B	48 mm

BTH1232 Bearing 2D drawings and 3D CAD models