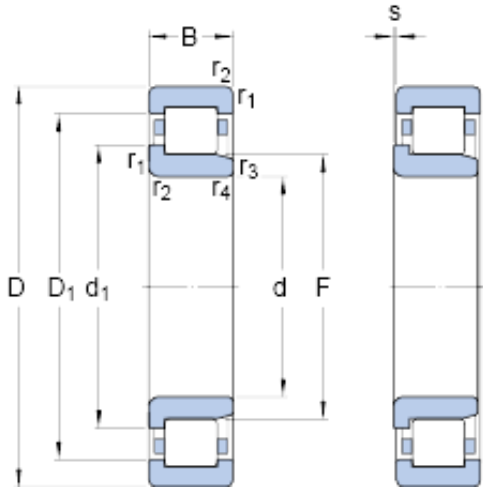




# Zaozhuang Yiding Bearing Co., Ltd.



## 75 mm x 130 mm x 25 mm SKF NJ 215 ECML thrust ball bearings

Bearing No. NJ 215 ECML

NJ 215 ECML Bearing 2D drawings and 3D CAD models

Size	130x75x25 mm
Bore Diameter	130 mm
Outer Diameter	75 mm
Width	25 mm
d	75 mm
D	130 mm
B	25 mm
d <sub>1</sub>	94.3 mm
D <sub>1</sub>	113.9 mm
F	88.5 mm
r <sub>1,2</sub> - min.	1.5 mm
r <sub>3,4</sub> - min.	1.5 mm
s	1.2 mm
d <sub>a</sub> - min.	84 mm
d <sub>a</sub> - max.	86 mm
d <sub>b</sub> - min.	97 mm
D <sub>a</sub> - max.	121.5 mm
r <sub>a</sub> - max.	1.5 mm
Basic dynamic load rating - C	150 kN
Basic static load rating - C <sub>0</sub>	156 kN
Fatigue load limit - P <sub>u</sub>	20.4 kN
Reference speed	5600 r/min
Limiting speed	9500 r/min
Calculation factor - k <sub>r</sub>	0.23



## Zaozhuang Yiding Bearing Co., Ltd.

$d_1$	94.3 mm
$D_1$	113.9 mm
$r_{1,2}$ min.	1.5 mm
$r_{3,4}$ min.	1.5 mm
s max.	1.2 mm
$d_a$ min.	84 mm
$d_a$ max.	86 mm
$d_b$ min.	97 mm
$D_a$ max.	121.5 mm
$r_a$ max.	1.5 mm
Basic dynamic load rating C	150 kN
Basic static load rating $C_0$	156 kN
Fatigue load limit $P_u$	20.4 kN
Calculation factor $k_r$	0.23
Limiting value e	0.2
Axial load factor Y	0.6
Mass bearing	1.42 kg