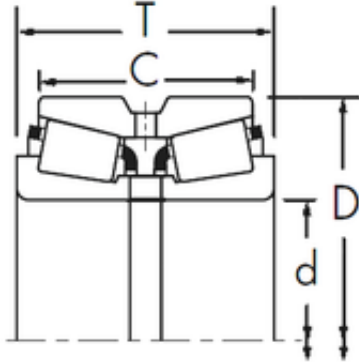




Zaozhuang Yiding Bearing Co., Ltd.

Timken 938/932CD+X4S-938 tapered roller bearings



Bearing No. 938/932CD+X4S-938

Size	114.3x212.725x142.875 mm
Bore Diameter	114,3 mm
Outer Diameter	212,725 mm
Width	142,875 mm
d	114,3 mm
D	212,725 mm
T	142,875 mm
C	117,475 mm
R	7 mm
r	1,5 mm

938/932CD+X4S-938 Bearing 2D drawings and 3D CAD models