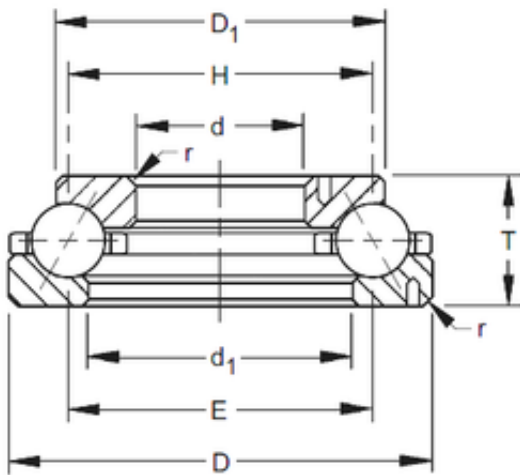




# Zaozhuang Yiding Bearing Co., Ltd.



## Timken 252TVL505 angular contact ball bearings

Bearing No. 252TVL505

Size	341.35x793.75x88.9 mm
Bore Diameter	341,35 mm
Outer Diameter	793,75 mm
Width	88,9 mm
d	341,35 mm
D	793,75 mm
T	88,9 mm
d1	708,02 mm
D1	746,12 mm
E	717,6 mm
H	717,6 mm

252TVL505 Bearing 2D drawings and 3D CAD models