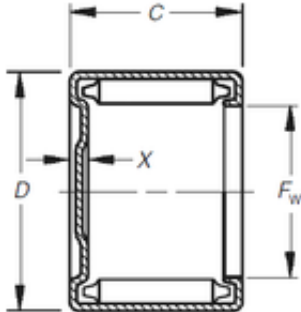




Zaozhuang Yiding Bearing Co., Ltd.

Timken M-6101 needle roller bearings



Bearing No. M-6101

Size	9.525x14.288x15.88 mm
Bore Diameter	9,525 mm
Outer Diameter	14,288 mm
Width	15,88 mm
Fw	9,525 mm
D	14,288 mm
C	15,88 mm
C1	2,03 mm
Weight	0,01 Kg
Basic dynamic load rating (C)	10,4 kN
Basic static load rating (C0)	16 kN
(Grease) Lubrication Speed	4600 r/min

M-6101 Bearing 2D drawings and 3D CAD models