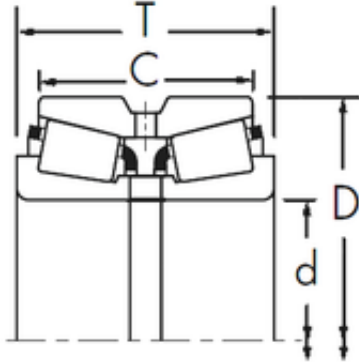




Zaozhuang Yiding Bearing Co., Ltd.

Timken 66187/66462D+X1S-66187 tapered roller bearings

Bearing No. 66187/66462D+X1S-66187



66187/66462D+X1S-66187 Bearing 2D drawings and 3D CAD models

Size	47.625x117.475x73.025 mm
Bore Diameter	47,625 mm
Outer Diameter	117,475 mm
Width	73,025 mm
d	47,625 mm
D	117,475 mm
T	73,025 mm
C	53,975 mm
R	3,5 mm
r	0,8 mm